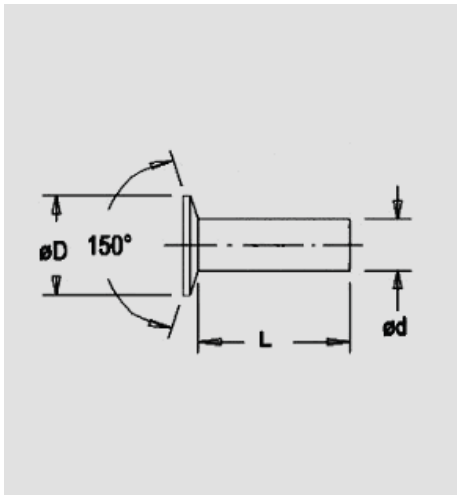


REMACHES

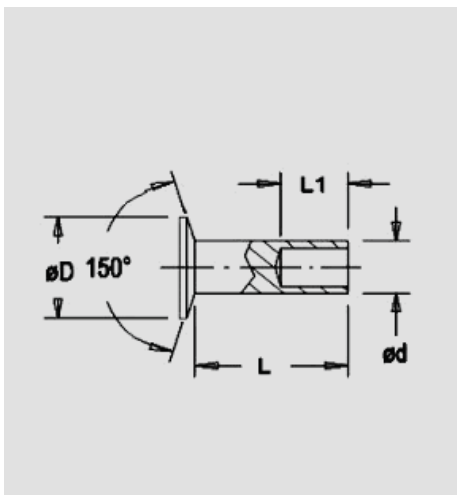
CINTAS DE FRENO

DISCOS DE EMBRAGUE

VISTA DE CORTE



MATERIAL	ACABADO
Aluminio	Pulido



MATERIAL	ACABADO
Hierro	Zincado
Cobre	Natural

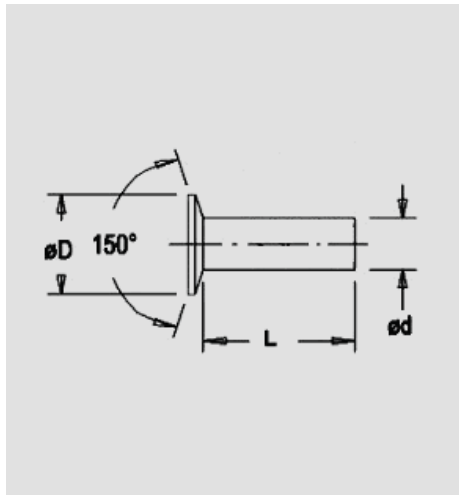
CÓDIGO	$\varnothing d$ $\pm 0,10$	$\varnothing d1$ $\pm 0,05$	L $\pm 0,10$	$\varnothing D$ $\pm 0,10$
3-3	3.50	4.76	4.00	6.50
3-4	3.50	6.35	4.00	6.50
3-5	3.50	7.93	4.00	6.50
3-6	3.50	9.52	4.00	6.50
3-7	3.50	11.10	4.00	6.50
4-3	3.50	4.76	4.00	7.30
4-4	3.50	6.35	4.00	7.30
4-5	3.50	7.93	4.00	7.30
4-6	3.50	9.52	4.00	7.30
4-7	3.50	11.10	4.00	7.30
4-8	3.50	12.70	4.00	7.30
5-3	3.50	4.76	4.00	8.10
5-4	3.50	6.35	4.00	8.10
5-5	3.50	7.93	4.00	8.10
5-6	3.50	9.52	4.00	8.10
5-7	3.50	11.10	4.00	8.10
5-8	3.50	12.70	4.00	8.10
5-9	3.50	15.00	4.00	8.10
5-10	3.50	16.00	4.00	8.10
6-3	3.90	4.76	4.00	8.10
6-4	3.90	6.35	4.50	8.10
6-5	3.90	7.93	4.50	8.10
6-6	3.90	9.52	4.50	8.10
6-7	3.90	11.10	4.50	8.10
6-8	3.90	12.70	4.50	8.10
6-9	3.90	15.00	4.50	8.10
6-10	3.90	16.00	4.50	8.10

REMACHES

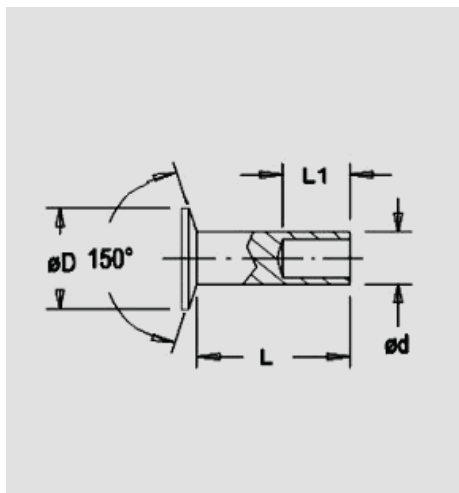
CINTAS DE FRENO

DISCOS DE EMBRAGUE

VISTA DE CORTE



MATERIAL	ACABADO
Aluminio	Pulido



MATERIAL	ACABADO
Hierro	Zincado
Cobre	Natural

CÓDIGO	ø d ± 0,10	ø d1 ± 0,05	L ± 0,10	ø D ± 0,10
7-3	4.50	4.76	4.00	8.30
7-4	4.50	6.35	5.00	8.30
7-5	4.50	7.93	5.00	8.30
7-6	4.50	9.52	5.00	8.30
7-7	4.50	11.10	5.00	8.30
7-8	4.50	12.70	5.00	8.30
7-9	4.50	15.00	5.00	8.30
7-10	4.50	16.00	5.00	8.30
7-12	4.50	19.00	5.00	8.30
8-6	4.50	9.52	5.00	9.80
8-7	4.50	11.10	5.00	9.80
8-8	4.50	12.70	5.00	9.80
8-9	4.50	15.00	5.00	9.80
8-10	4.80	16.00	5.00	9.80
9-4	4.80	6.35	5.00	9.20
9-5	4.80	7.93	5.00	9.20
9-6	4.80	9.52	5.00	9.20
9-7	4.80	11.10	5.00	9.20
9-8	4.80	12.70	5.00	9.20
9-9	4.80	15.00	5.00	9.20
9-10	4.80	16.00	5.00	9.20
10-4	6.30	6.35	6.00	12.00
10-5	6.30	7.93	7.00	12.00
10-6	6.30	9.52	7.00	12.00
10-8	6.30	12.70	7.00	12.00
10-9	6.30	15.00	7.00	12.00
10-10	6.30	16.00	7.00	12.00
10-12	6.30	19.00	7.00	12.00
10-14	6.30	22.00	7.00	12.00
10-16	6.30	25.00	7.00	12.00

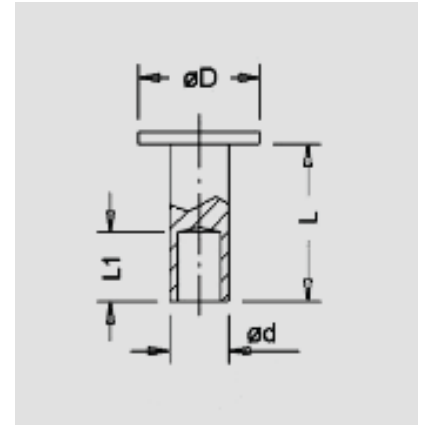
REMACHES LINEA PESADA

Scania

CÓDIGO	$\varnothing d$ $\pm 0,10$	L $\pm 0,10$	L1 $\pm 0,20$	$\varnothing D$ $\pm 0,10$
SCANIA	6.00	19.00	7.00	12.00

MATERIAL	ACABADO
Hierro	Zincado

VISTA DE CORTE

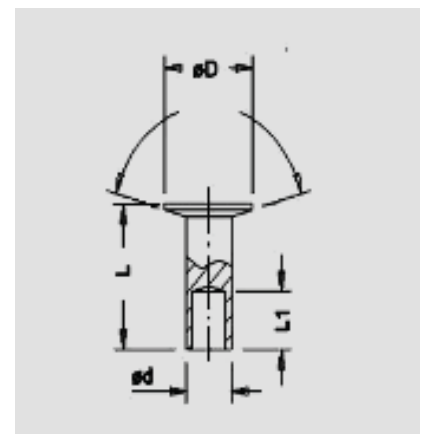


Volvo

CÓDIGO	$\varnothing d$ $\pm 0,10$	L $\pm 0,10$	L1 $\pm 0,20$	$\varnothing D$ $\pm 0,10$
VOLVO	6.35	19.00	7.00	12.20

MATERIAL	ACABADO
Hierro	Zincado

VISTA DE CORTE



Fiat/Corsa

CÓDIGO	$\varnothing d$ $\pm 0,10$	L $\pm 0,10$	L1 $\pm 0,20$	$\varnothing D$ $\pm 0,10$
FIAT	3.17	6.00	4.00	6.00
CORSA	3.17	6.00	4.00	6.00

MATERIAL	ACABADO
Hierro	Zincado

VISTA DE CORTE

